

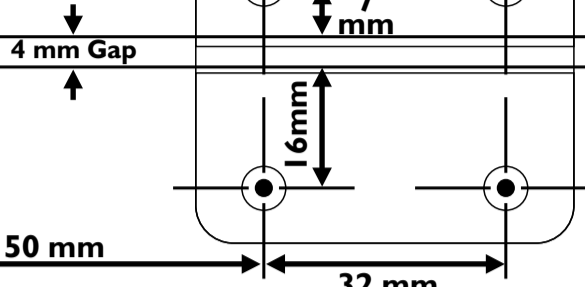
Inside Top Left of Unit
LEFT-HAND SIDE PANEL

Bottom of Upper Door
LEFT-HAND SIDE

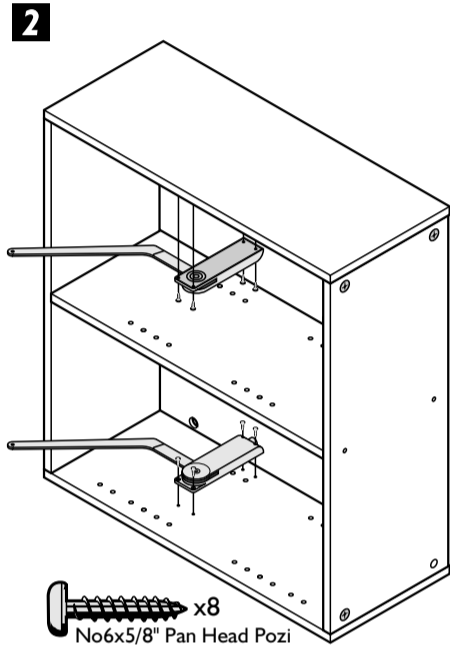
BI-FOLD FLAP TEMPLATE

(For Installation into a Standard 800 Wide Wall Unit)

IMPORTANT: This side of the template is for the measurements for the left-hand side of the unit. The measurements for the Right-hand side are on the back of this sheet.



PLEASE NOTE: This illustration shows the template being used for the measurements for the left-hand side of the unit. The measurements for the Right-hand side are on the back of this sheet.

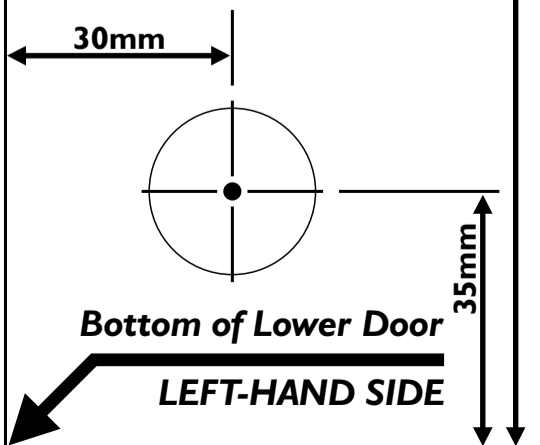
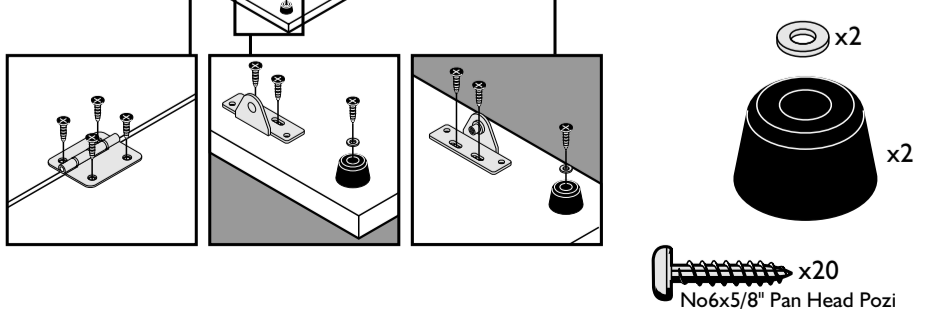
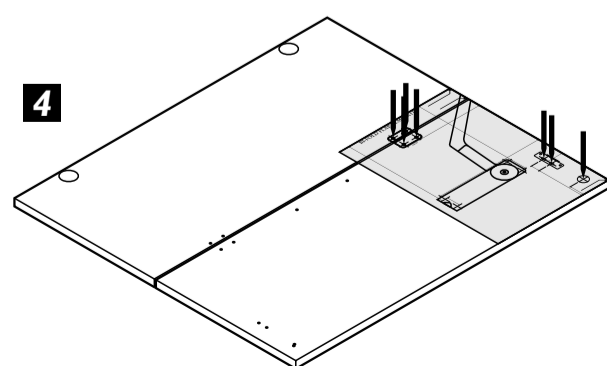
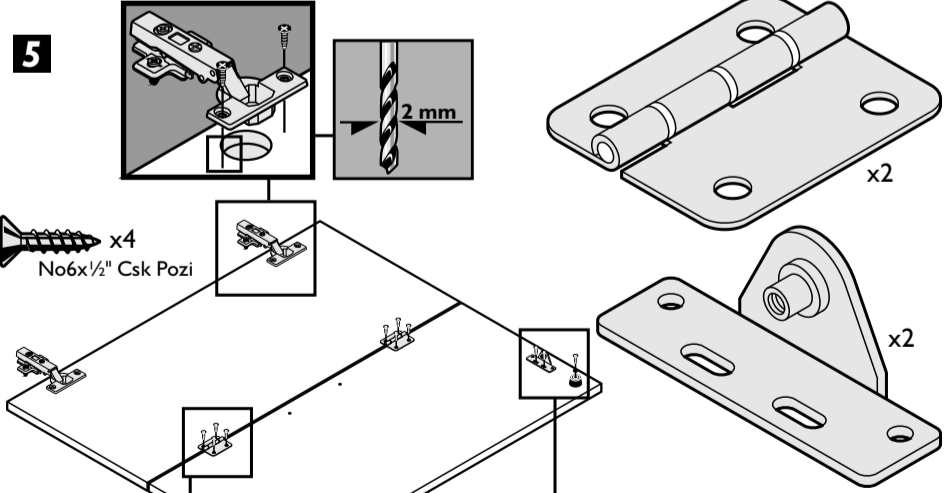
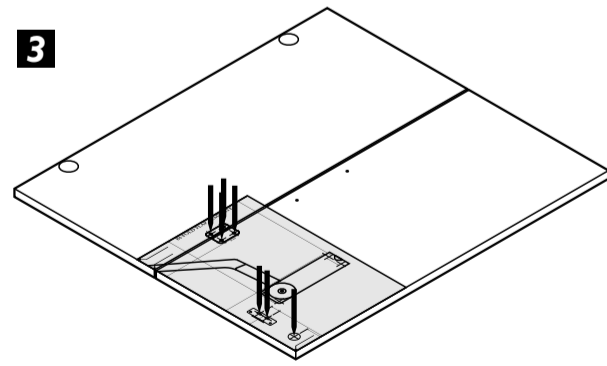
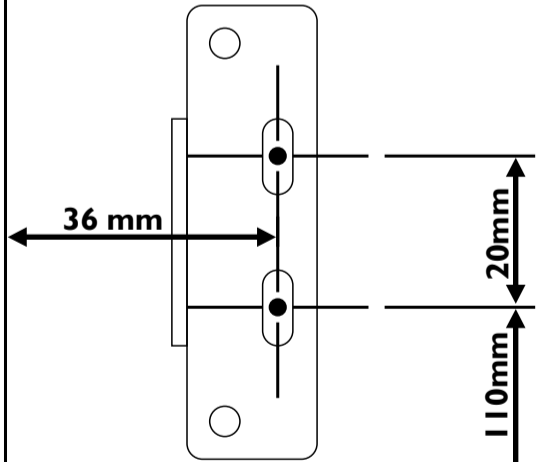
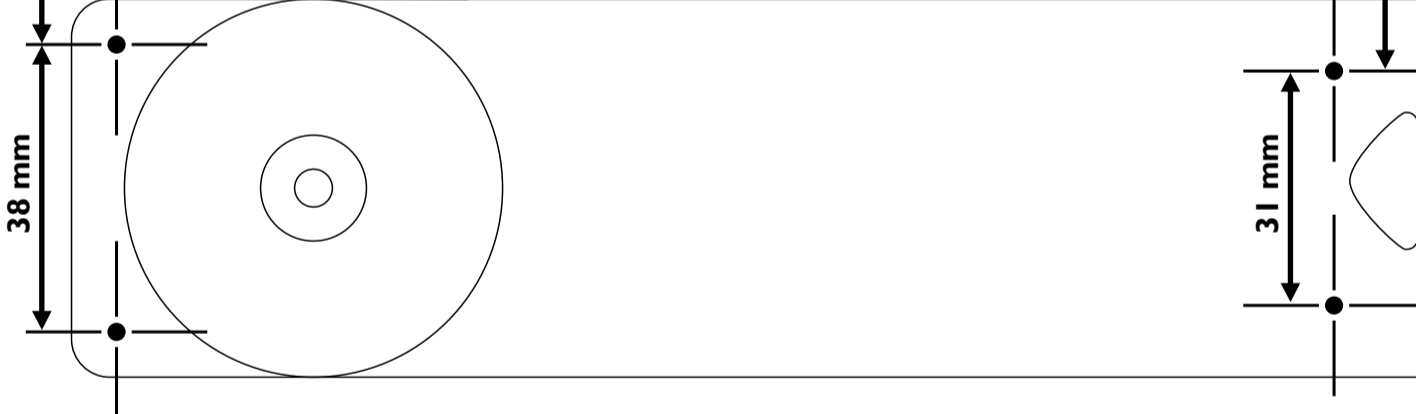


235 mm

238.5 mm

89 mm

161 mm



Bottom of Lower Door
LEFT-HAND SIDE

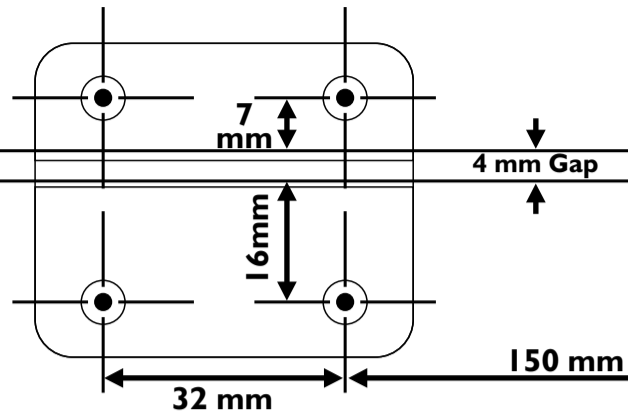
BI-FOLD FLAP TEMPLATE

(For Installation into a Standard 800 Wide Wall Unit)

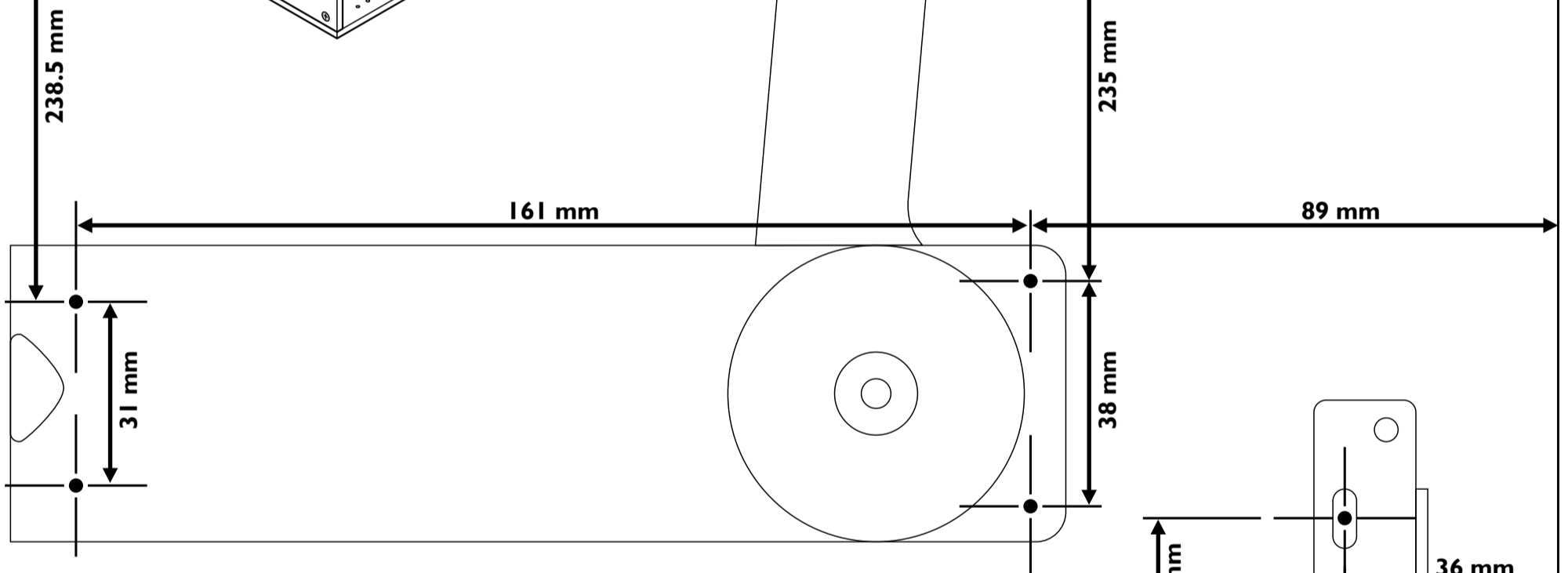
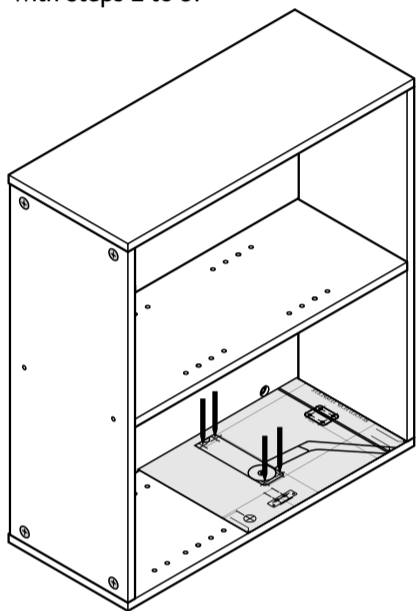
IMPORTANT: This side of the template is for the measurements for the right-hand side of the unit. The measurements for the Left-hand side are on the front of this sheet.

Inside Top Right of Unit
RIGHT-HAND SIDE PANEL

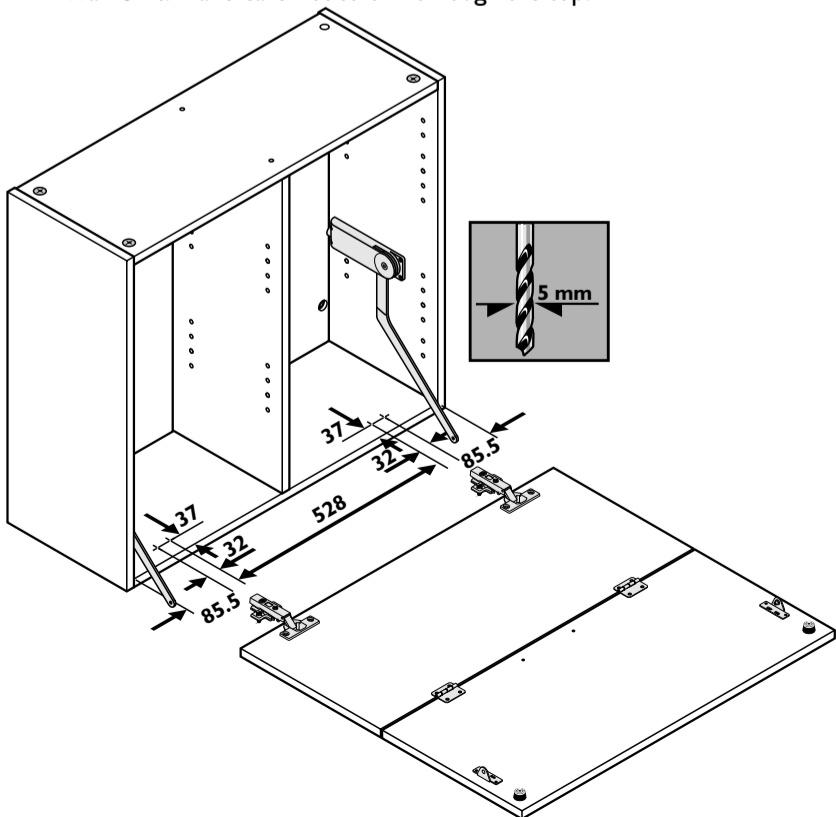
Bottom of Upper Door
RIGHT-HAND SIDE



PLEASE NOTE: This illustration shows the template being used for the measurements for the right-hand side of the unit. The measurements for the Left-hand side are on the front of this sheet with Steps 2 to 5.



6 Four holes, 5mm in diameter and 12mm deep have to be drilled for the hinge plates in the top of the Wall Unit. Take care not to drill through the top.



7 ! IMPORTANT: To lower the flaps, pull the lower flap down by the edge of the flap. Do not use the handle. Remove the cardboard stopper once the doors have been fitted.

