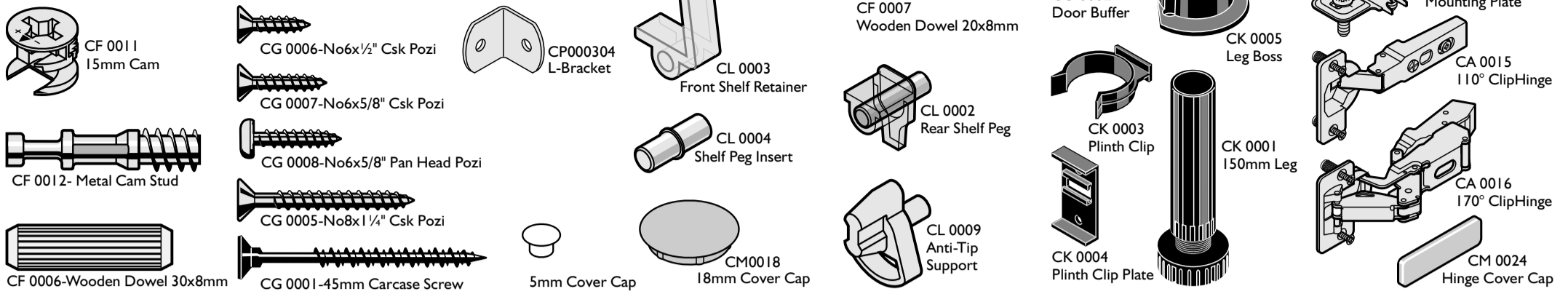
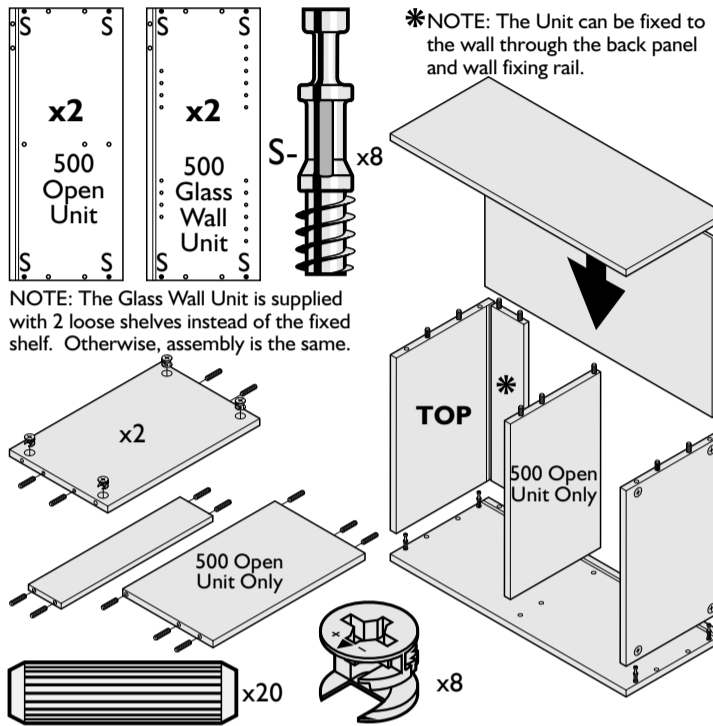


ACCESSORY UNIT ASSEMBLY INSTRUCTIONS

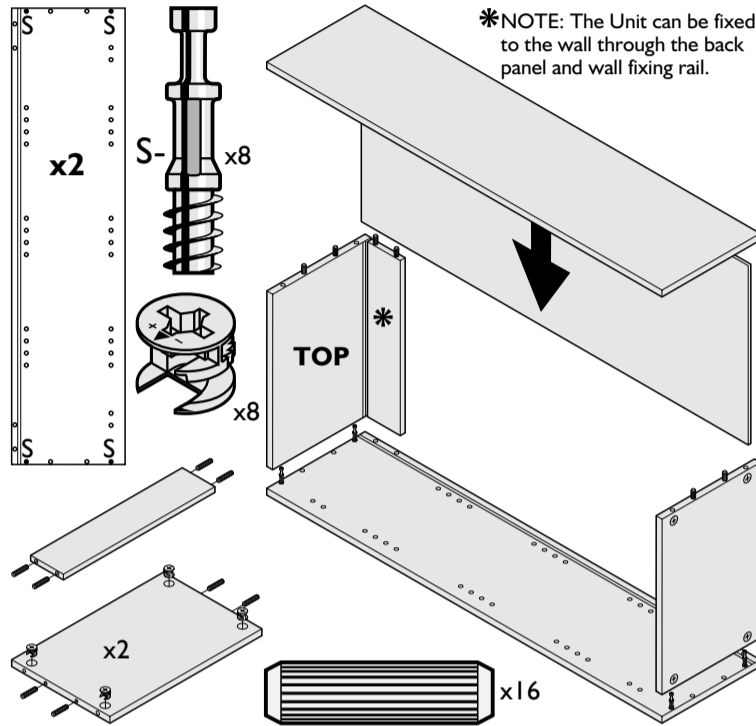
Fitting Identification List



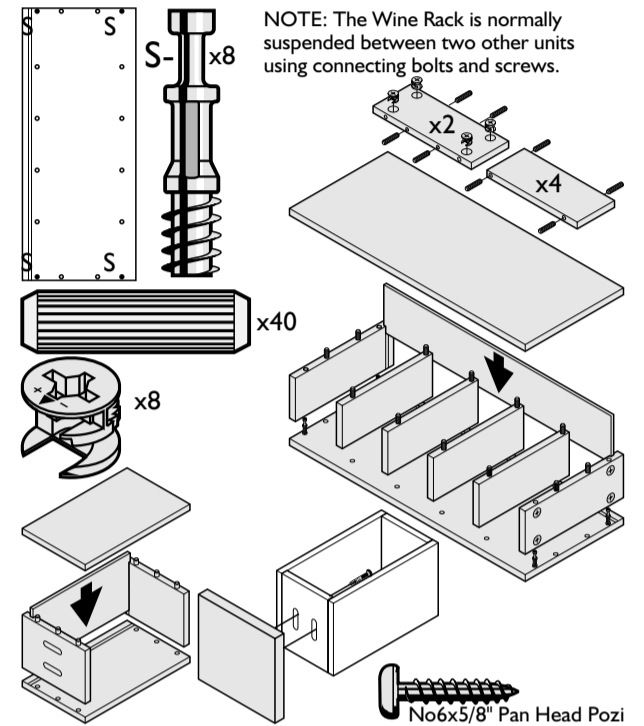
500 Open Unit & Glass Wall Unit



500 Dresser Unit

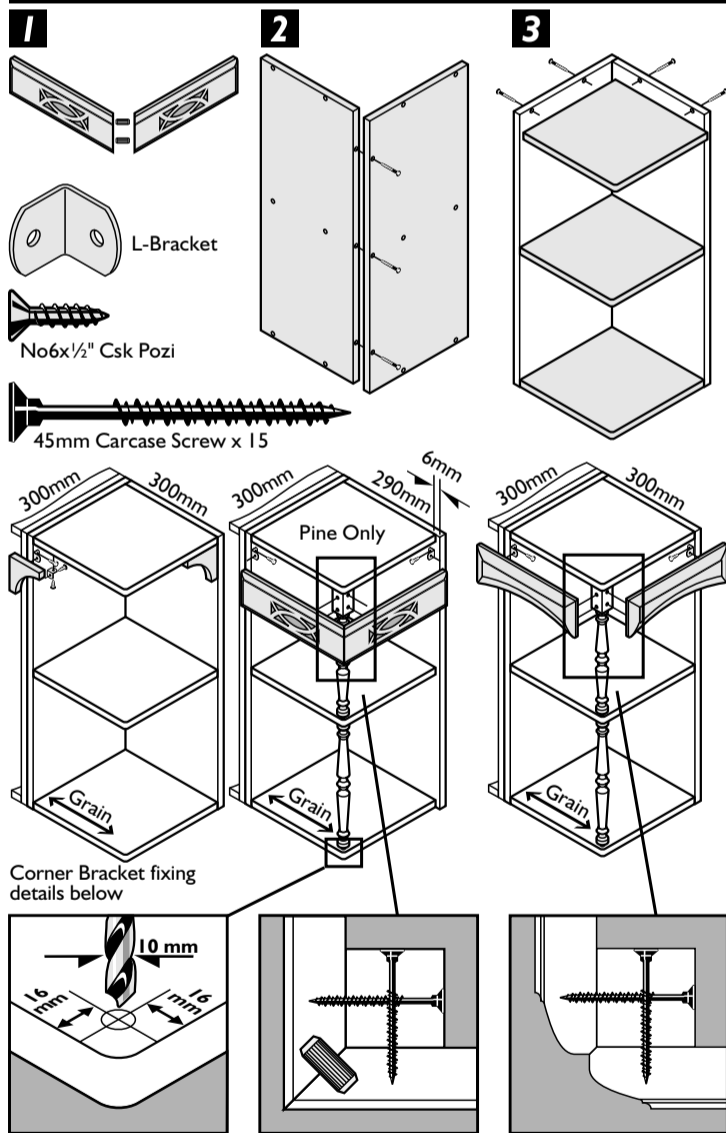


Wine Rack & Spice Drawer



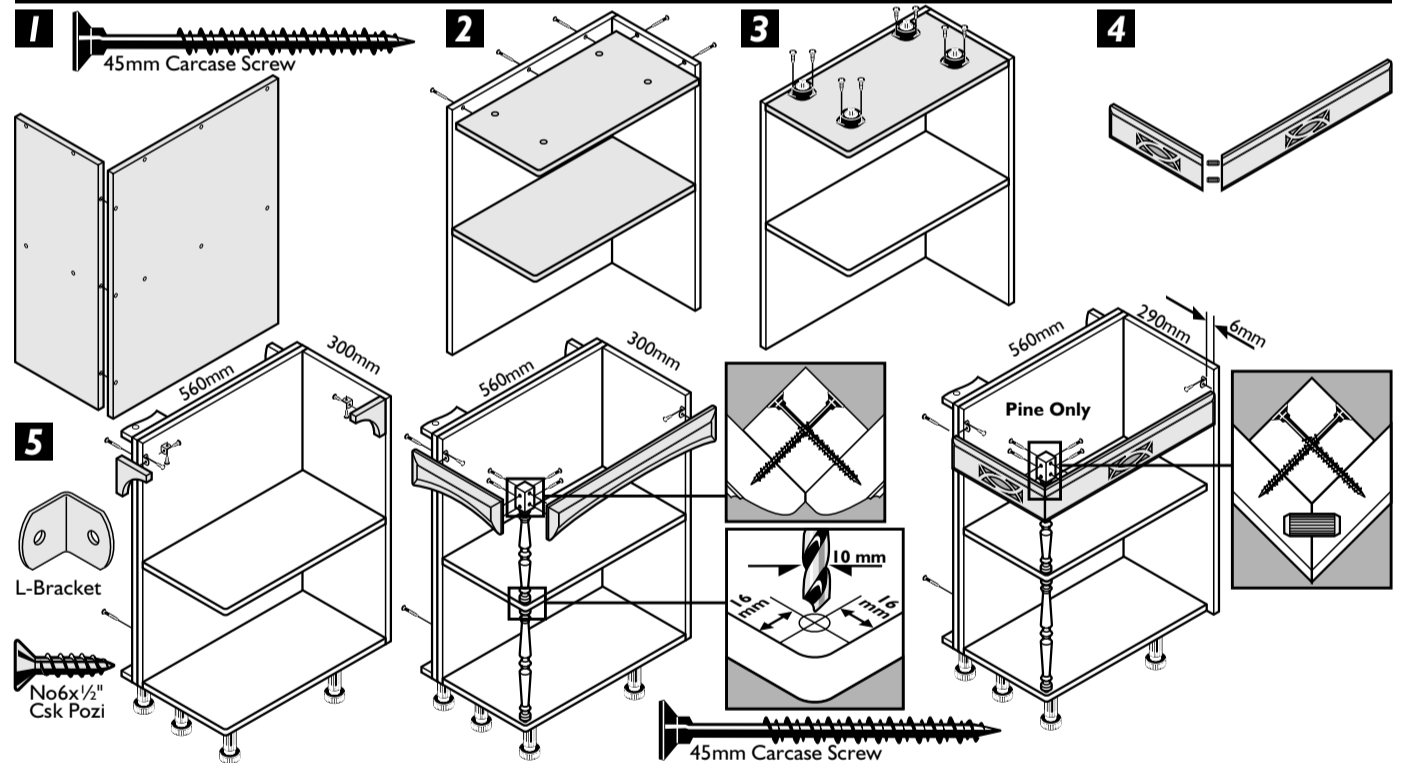
Open End Wall Units

NOTE: Not all items are available in all ranges.



Open End Base Units

NOTE: Not all items are available in all ranges.



Hinges Doors & Shelves

-Put the hinge and hinge plate together before fitting to the door as this makes finding the mounting holes in the end panels easy.
 -The door on single door units can open either left or right. Attach the hinges to one side of the door only.
 -Put the shelf into position with 2 shelf peg inserts and retainers in the front holes and 2 rear shelf pegs into the back holes.
 -Fit an anti-tip support into the hole at the back one space above the shelf.

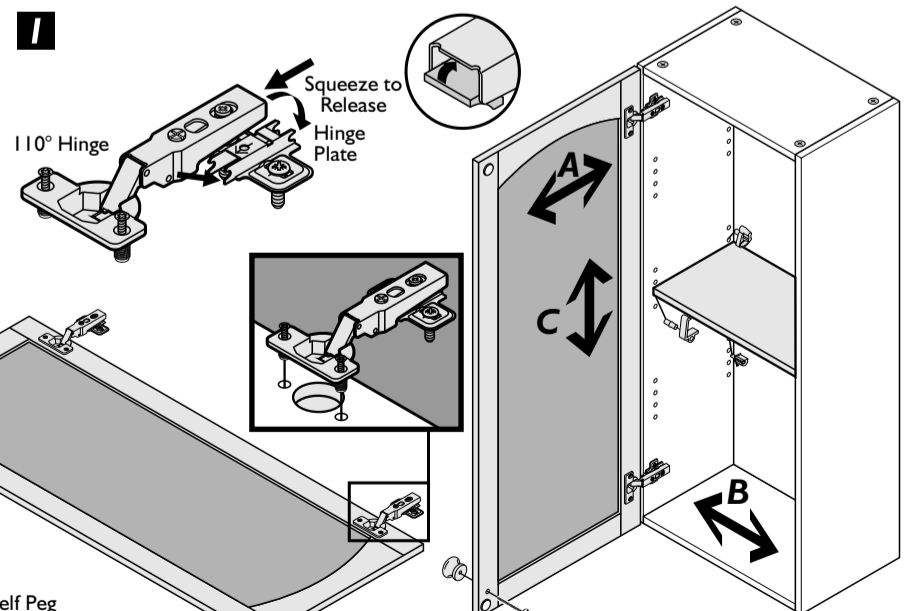
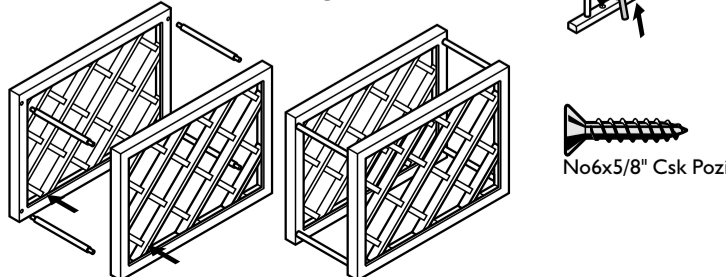


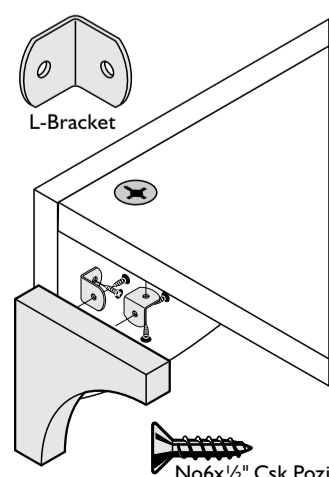
Plate Rack & Lattice Wine Rack

The two dowels indicated in the drawing of the wine rack are removed by lifting until they are clear at the bottom. The racks must be installed with the deeper hole in the top rail.

Note that the two parts of the lattice wine rack are orientated differently to allow the bottles to lie flat. It is recommended that the rack is not fixed into the unit to allow removal for cleaning.



Corner Bracket



Hinge Adjustment

